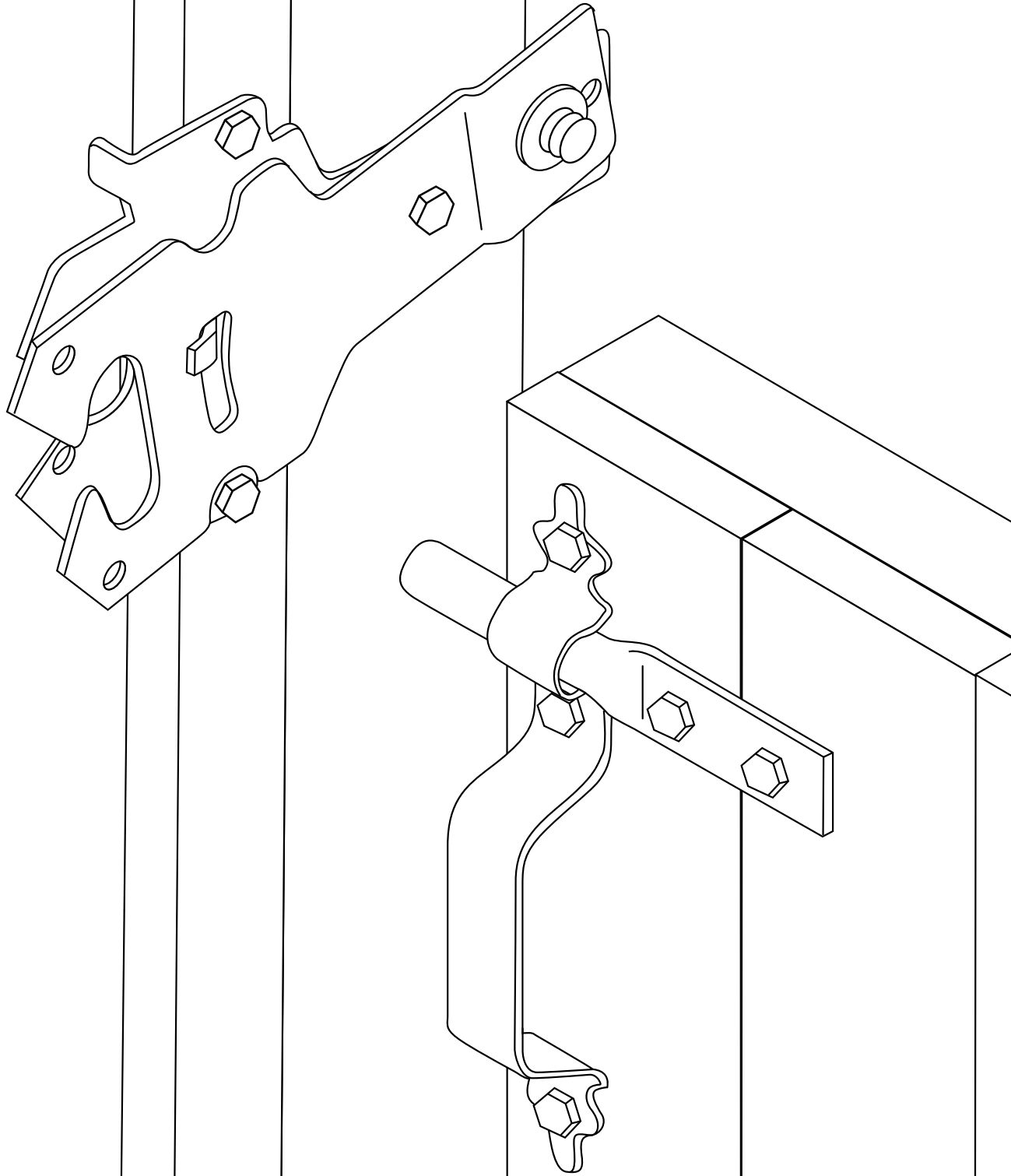


WOOD GATE HARDWARE

PRODUCT CATALOG



TALLAHASSEE

(850) 942-1003

MOBILE/BALDWIN

(251) 322-2075

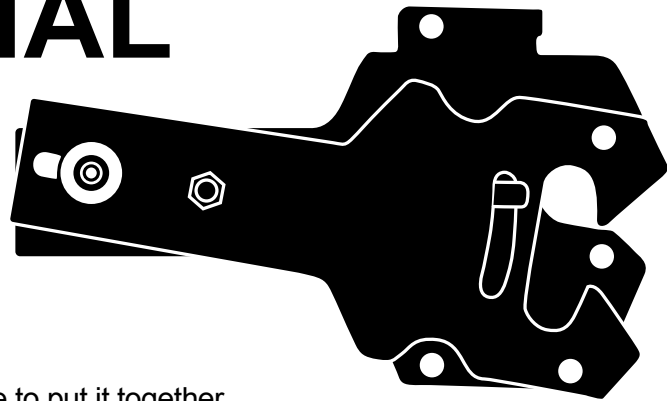
5159 Woodlane Circle
Tallahassee, FL 32303
www.BTFencing.com



AMERISTAR WOOD GATE HARDWARE

JUST ASK FOR THE

MAXIMA[®] **TRADITIONAL**



THE ULTIMATE

INSTALLER'S DREAM

- » **PRE-ASSEMBLED** – You do not have to put it together
- » **EASIEST INSTALLATION** – Two piece latch assembly mounts quickly with two fasteners
- » **NO SPRINGS** – Simplifies installation/operation... eliminates lost or missing spring problems
- » **ONE-STEP REVERSIBILITY** – Just flip it over... no disassembly or reassembly required
- » **SUPPORTED STRIKER BAR** – Handle adds stability to gate mounted striker

ELIMINATES PROBLEMS

- » **ANTI-SAG DESIGN** – Forces gate striker to catch
- » **POSITIVE GATE SUPPORT** – Provides complete upward support on latch side
- » **NO SMALL REPLACEMENT PARTS NEEDED** – Eliminates need for replacing springs or assembly screws
- » **EXTRA HEAVY DUTY** – heavy gauge steel mainframe and keeper; 3/4" diameter striker

FENCE OWNER'S DELIGHT

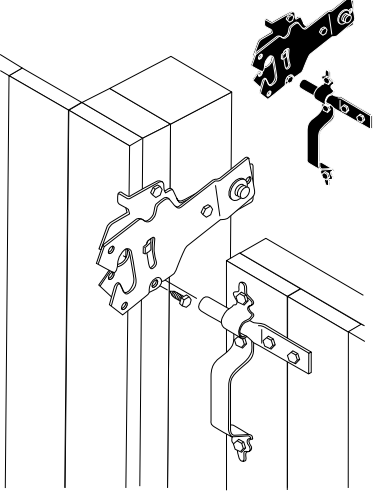
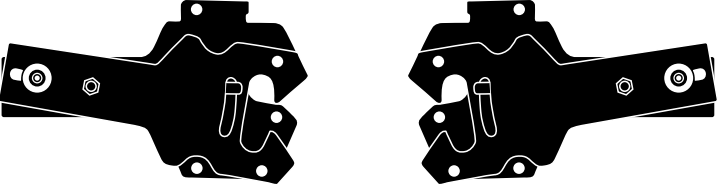
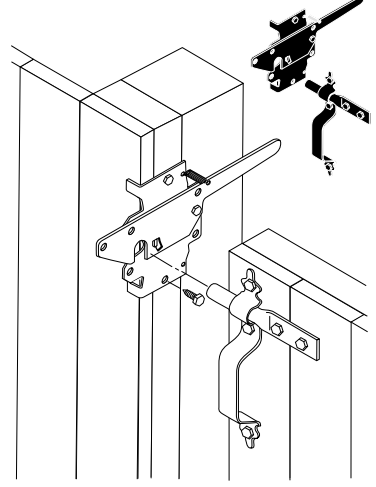
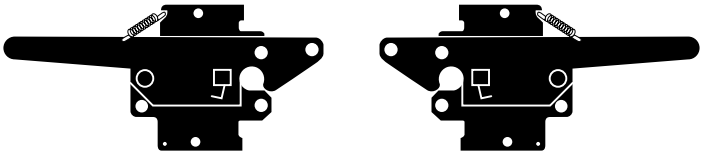
- » **PADLOCKS ON EITHER SIDE** – For any gate/post framing thickness
- » **"SLIP-LOCK"** – Solid brass button enables manual locking back side
- » **SAFETY CONTOUR** – No protruding points to cause accidental injury
- » **HIGH SECURITY** – Positive capture feature of keeper and catch makes release of striker impossible when latch is locked
- » **POWDER-COATED FINISH** – Withstands the elements

WOOD GATE HARDWARE MAXIMA® TRADITIONAL STYLE

www.ameristarfence.com

1-888-333-3422

FAX: 1-877-926-3747

ITEM DESCRIPTION	PART NUMBER	PRICE BOX	HANDLE OPTION	FINISH	PACKAGE	BOX QTY	BOX WT				
<p>Maxima® Deluxe Latch Set (w/Slip-Lock)</p>  <p>• See Below</p>	296-SX-R		w/Handle	Black	P/B w/scr.	20 Ea.	49				
<p>The "Max" deluxe latch comes complete with striker, handle, slip-lock and screws.</p>  <p>Above latch is completely reversible (without disassembly) for right or left opening gates.</p>											
<p>Maxima® Post Latch</p>  <p>• See Below</p>	210-SX-R		w/o handle	Black	P/B w/scr.	20 Ea.	33				
<p>210-SHX-R</p> <p>w/handle</p>								Black	P/B w/scr.	20 Ea.	39
<p>A heavy duty post latch for single or double gates. Self latching works right or left. Lockable from both sides.</p>  <p>Above latch can be easily reversed from right opening to left by removing the shoulder bolt and spring, reversing the paddle and reinserting the bolt and spring.</p>											

WARNING: Due to extensive variation in local ordinances for fencing requirements around pools, Ameristar **does not certify** these latches as meeting applicable pool codes. The installer and homeowner should pay careful attention to local pool regulations and if they have any doubts about regulatory compliance, they should contact the local regulatory agency for an inspection and ruling on compliance.



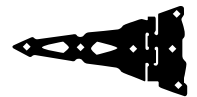
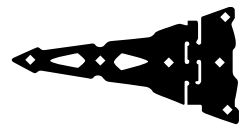

WOOD GATE HARDWARE

MAXIMA® TRADITIONAL STYLE

www.ameristarfence.com

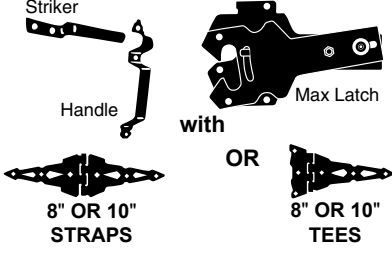
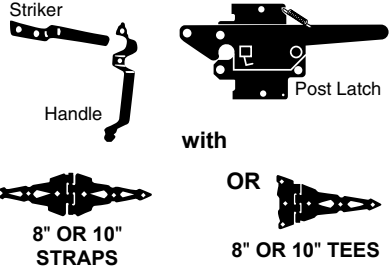
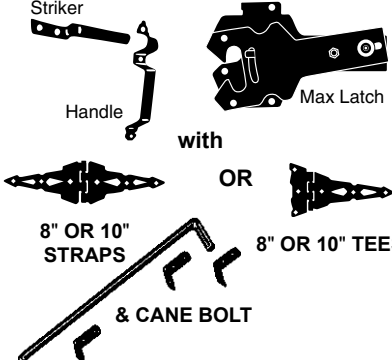
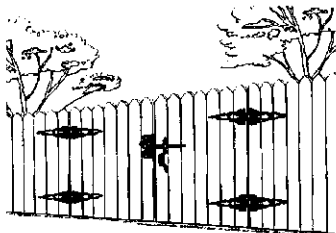
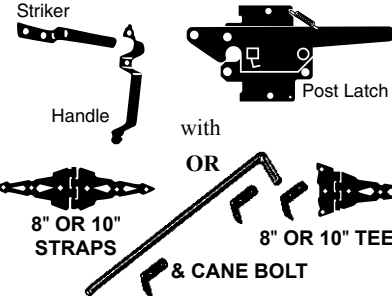
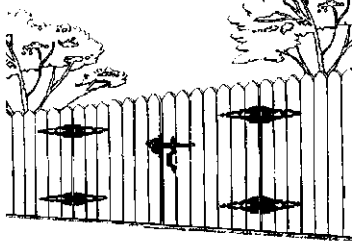
1-888-333-3422

FAX: 1-877-926-3747

ITEM DESCRIPTION	PART NUMBER	PRICE BOX	SIZE	FINISH	PACKAGE	BOX QTY	BOX WT
Maxima® 8" Strap Hinge 	130-SX-R		8"	Black	P/B w/scr.	20 Pr.	61
<p>The "Max" 8" strap hinge has a 4¾" hinge pin making it the widest 8" strap hinge available. With 12 ga. steel, 5" in height and 16" in overall length, the "Max" is an extra heavy duty, non-sag hinge for long life over extended cycles of operation.</p>							
Maxima® 10" Strap Hinge 	132-SX-R		10"	Black	P/B w/scr.	20 Pr.	72
<p>The "Max" 10" strap has all the same extra heavy duty features as the 8" "Max" strap hinge plus the overall length is extended to 20", making it the prime choice for extremely large gates and doors.</p>							
Maxima® 8" Tee Hinge 	134-SX-R		8"	Black	P/B w/scr.	20 Pr.	53
<p>The "Max" 8" Tee has the extra long 4¾" hinge pin. It is made with 12 ga. steel and has overall dimensions of 7¼" height by 10½" length.</p>							
Maxima® 10" Tee Hinge 	136-SX-R		10"	Black	P/B w/scr.	20 Pr.	60
<p>The "Max" 10" Tee is excellent for heavy gates and doors. It is 12 ga., 7¼" high by 13" long overall and has the long 4¾" hinge pin.</p>							
Maxima® Butterfly Hinge 	138-SX-R		8"	Black	P/B w/scr.	20 Pr.	47
<p>The winged "Max" Butterfly hinge is 12 ga. steel; it is 7¼" by 4½" long overall; and has a 4¾" long hinge pin. The "Max" Butterfly is ideal for applications where vertical mounting space is extremely narrow.</p>							

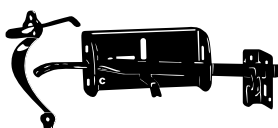


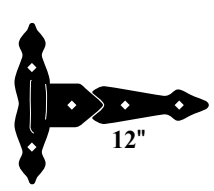


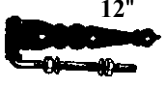

WOOD GATE HARDWARE MAXIMA® TRADITIONAL STYLE

www.ameristarfence.com
1-888-333-3422
FAX: 1-877-926-3747

ITEM DESCRIPTION	PART NUMBER	PRICE BOX	SIZE	FINISH	PACKAGE	BOX QTY	BOX WT	
Maxima® Deluxe Latch Walk Gate Set 	Two Hinge Walk Gate Set							
	430-P/BX-R		(2) - 8" Strap	Black	P/B w/scr.	8 Sets	44	
	432-P/BX (N/S)		(2) - 10" Strap	Black	P/B w/scr.	8 Sets	49	
	431-P/BX (N/S)		(2) - 8" Tee	Black	P/B w/scr.	8 Sets	41	
	433-P/BX (N/S)		(2) - 10" Tee	Black	P/B w/scr.	8 Sets	45	
	Three Hinge Walk Gate Set							
439-PBX (N/S)		(3) - 8" Strap	Black	P/B w/scr.	8 Sets	52		
Complete kit for 1 walk gate.								
Maxima® Post Latch Walk Gate Set 	Two Hinge Walk Gate Set							
	410-PBX-R		(2) - 8" Strap	Black	P/B w/scr.	8 Sets	41	
	412-PBX (N/S)		(2) - 10" Strap	Black	P/B w/scr.	8 Sets	46	
	411-PBX-R		(2) - 8" Tee	Black	P/B w/scr.	8 Sets	37	
	413-PBX (N/S)		(2) - 10" Tee	Black	P/B w/scr.	8 Sets	41	
	Three Hinge Walk Gate Set							
419-PBX-R		(3) - 8" Strap	Black	P/B w/scr.	8 Sets	52		
Complete kit for 1 walk gate.								
Maxima® Deluxe Latch Double Walk Gate Set 	481X-R		(4) 8" Strap	Black	P/B w/scr.	6 Sets	70	
	483X-R		(4) 10" Strap	Black	P/B w/scr.	6 Sets	78	
	493X (N/S)		(4) 10" Tee	Black	P/B w/scr.	6 Sets	70	
	Complete kit for 1 double drive gate.							
								
Maxima® Post Latch Double Walk Gate Set 	461X-R		(4) 8" Strap	Black	P/B w/scr.	6 Sets	69	
	463X-R		(4) 10" Strap	Black	P/B w/scr.	6 Sets	75	
	Complete kit for 1 double drive gate.							
								

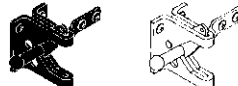


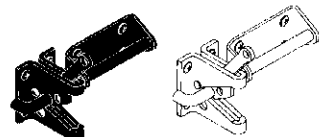
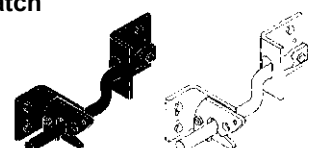
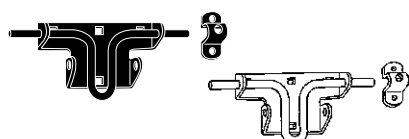
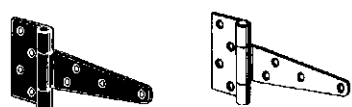
WOOD GATE HARDWARE CONTINENTAL STYLE

www.ameristarfence.com
1-888-333-3422
FAX: 1-877-926-3747

ITEM DESCRIPTION	PART NUMBER	PRICE BOX	SIZE	FINISH	PACKAGE	BOX QTY	BOX WT
Continental Thumb Latch  • See Below	220X-R		5" Lever	Black	P/B w/scr.	20 Ea.	29
	222X (N/S)		6" Lever	Black	P/B w/scr.	20 Ea.	29
Decorative, reversible, self latching. For single gates opening inward.							
WARNING: Due to extensive variation in local ordinances for fencing requirements around pools, Ameristar does not certify these latches as meeting applicable pool codes. The installer and homeowner should pay careful attention to local pool regulations and if they have any doubts about regulatory compliance, they should contact the local regulatory agency for an inspection and ruling on compliance.							
Continental 8" Strap Hinge  8"	116-SX-R		8"	Black	P/B w/scr.	20 Pr.	56
	Popular for walk gates and double drive gates up to 10' openings where a slimmer look of a narrower strap is desired.						
Continental Half-Strap Hinge  8"	126-SX-R		8"	Black	P/B w/scr.	20 Pr.	47
	For small gates and doors where mounting space prohibits the length of the full strap or the height of the tee hinge. 11 $\frac{3}{4}$ " overall length.						
Continental Tee Hinge  12"  8"	101-SPX-R		8"	Black	P/B w/3" fastener	20 Pr.	49
	101-SX-R		8"	Black	P/B w/scr.	20 Pr.	48
	104-SX-R		12"	Black	P/B w/scr.	5 Pr.	29
Available in two sizes: - Tee Hinge with 8" strap overall dimensions = (7 $\frac{3}{4}$ " x 9") - Tee Hinge with 12" strap overall dimensions = (10" x 14.875")							
Continental Screw Hook & Strap Hinge  8"	140-SX (N/S)		4" x 8"	Black	P/B w/scr.	20 Pr.	42
	$\frac{1}{2}$ " x 4" x 2" screw hook with 8" strap hinge.						
Continental Bolt Hook & Strap Hinge  12"  8"	144-SX (N/S)		7" x 8"	Black	P/B w/scr.	20 Pr.	54
	146-SX-R		8" x 12"	Black	P/B w/scr.	10 Pr.	54
Available in two sizes: $\frac{1}{2}$ " x 2" x 7" w/8" strap hinge & .625" x 2" x 8" w/12" strap hinge.							

WOOD GATE HARDWARE UNIVERSAL STYLE

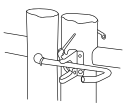

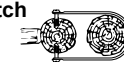

www.ameristarfence.com
1-888-333-3422
FAX: 1-877-926-3747

ITEM DESCRIPTION	PART NUMBER	PRICE BOX	SIZE	FINISH	PACKAGE	BOX QTY	BOX WT
Universal Gravity Latch  • See Below	230X		5" Striker	Zinc	P/B w/scr.	50 Ea.	24
	232X-R		5" Striker	Black	P/B w/scr.	50 Ea.	23
Works right or left, self-latching.							
Universal Floating Gravity Latch  • See Below	235X (N/S)		5" Striker	Black	P/B w/scr.	50 Ea.	30
	Works right or left; floating striker enables latch to engage, even if gate sags.						
Universal Offset Gravity Latch  • See Below	236X (N/S)		Offset	Black	P/B w/scr.	50 Ea.	24
	Works right or left, for use when striker must be mounted on a 90° angle.						
Universal Heavy-Duty Gravity Latch  • See Below	276X-R		----	Black	P/B w/scr.	20 Ea.	30
	276-SPX-R		----	Black	P/B w/scr.	20 Ea.	31
	278X-R		----	Zinc	P/B w/scr.	20 Ea.	30
Complete with screws. Extra heavy-duty. Item #276-SPX includes pull cable and ring.							
Universal Heavy-Duty Floating Bar Latch  • See Below	274X (N/S)		----	Zinc	P/B w/scr.	20 Ea.	34
	275X (N/S)		----	Black	P/B w/scr.	20 Ea.	34
	275-SPX (N/S)		----	Black	P/B w/scr.	20 Ea.	40
Complete with screws. Extra heavy-duty. Floating bar engages even when gate sags. Item #275-SPX includes pull cable and ring.							
Universal Slide Bolt Latch  • See Below	241X-R		----	Black	P/B w/scr.	30 Ea.	24
	243X (N/S)		----	Zinc	P/B w/scr.	30 Ea.	24
Multi-purpose latch, slide bolt action, provides position for use of a padlock. Gate can swing in or out. Ideal for garage doors.							
Universal 6" Tee Hinge 	190X-R		6"	Zinc	Bulk w/o scr.	40 Pr.	50
	191X (N/S)		6"	Black	Bulk w/o scr.	40 Pr.	52
Economical hinge for smaller doors and walk gates. Easy for the "Do-It-Yourself" customers to install.							

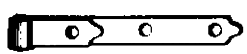

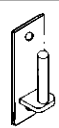

WARNING: Due to extensive variation in local ordinances for fencing requirements around pools, Ameristar does not certify these latches as meeting applicable pool codes. The installer and homeowner should pay careful attention to local pool regulations and if they have any doubts about regulatory compliance, they should contact the local regulatory agency for an inspection and ruling on compliance.

WOOD GATE HARDWARE COLONIAL STYLE



www.ameristarfence.com
1-888-333-3422
FAX: 1-877-926-3747

ITEM DESCRIPTION	PART NUMBER	PRICE BOX	SIZE	FINISH	PACKAGE	BOX QTY	BOX WT
Colonial All-Purpose Gravity Latch  • See Below	270X-R		-----	Zinc	P/B w/scr.	20 Ea.	36
	Complete with screws, pull cable & ring. Latch will allow for unusual sag.						
Colonial Split Rail Loop Latch  • See Below	260X-R		-----	Zinc	P/B w/scr.	30 Ea.	22
	Use for split rail and stockade fence. Round post latch made of 3/8" rod; 7" wide x 8 1/2" long, for fence posts up to 7" in width.						
Colonial Round Rail Loop Latch  • See Below	263X-R		-----	Zinc	P/B w/scr.	30 Ea.	23
	Use for round rail and stockade fence. Latch made of 3/8" rod; 5" x 9-3/4" inside dimension.						
Colonial Screw Hook & Eye Hinge  1/2" X 4" 5/8" X 5"	161X-R		1/2" X 4"	Zinc	P/B	30 Pr.	33
	169X-R		5/8" X 5"	Zinc	P/B	30 Pr.	62
For round post or split rail gates. Pair consists of four pieces: 2 screw eyes and 2 screw hooks.							

COMPONENTS

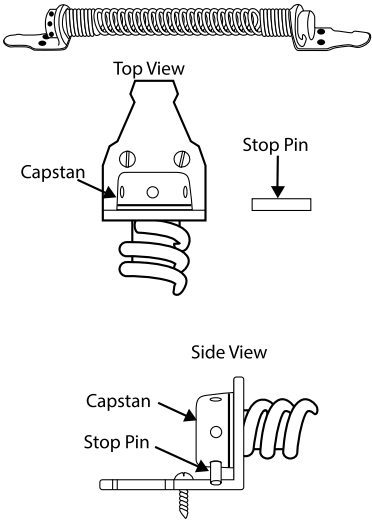
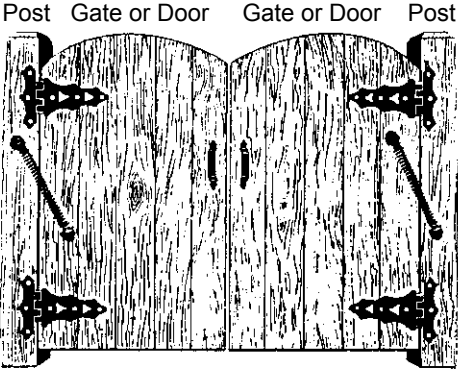
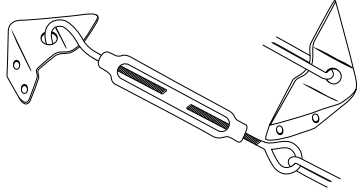
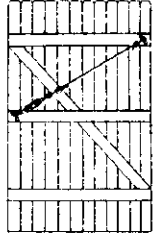
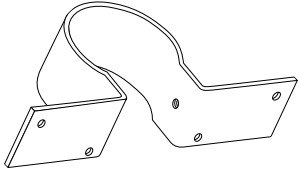
ITEM DESCRIPTION	PART NUMBER	PRICE BOX	SIZE	FINISH	PACKAGE	BOX QTY	BOX WT
Heavy Duty Straps  (1 1/4" Wide x 3/16" Thick)	536X-R		8"	See Note	Bulk w/o scr.	60 Ea.	41
	537X-R		10"	See Note	Bulk w/o scr.	40 Ea.	32
5/8" φ barrel. 8" strap has 2 holes, 10" strap has 3 holes. NOTE: Zinc finish; Black is available but special order is required.							
Screw Hooks 	512X (N/S)		5/8"x5"x1 1/4"	Zinc	Bulk	60 Ea.	33
Plate Pintels 	526X-R		5/8"φ x1 1/4"	Zinc	Bulk w/o scr.	40 Ea.	22
Plate is 1 1/2" x 4".							
Cables & Rings 	580X (N/S)		----	----	Bulk	100 Ea.	7

FASTENERS

Item	Part Number	Price Each	Size	Finish	Package	Package Quantity	Package Weight
Hex Head Lag Screws 	351P-200 (N/S)		5/16" x 2" Lag	Black	Bulk	2000	80
	352 (N/S)		5/16" x 1 1/2" Lag	Black	Bulk	2315	75
	353 (N/S)		1/4" x 1 1/4" Lag	Black	Bulk	2700	60
	354 (N/S)		5/16" x 3" Lag	Black	Bulk	1500	75
Carriage Bolts w/Flange Nuts 	355 (N/S)		5/16" x 3" Car.	Black	Bulk	1000	67
	356 (N/S)		5/16" x 6 1/2" Car.	Black	Bulk	500	63

WOOD GATE HARDWARE ACCESSORIES

www.ameristarfence.com
 1-888-333-3422
 FAX: 1-877-926-3747

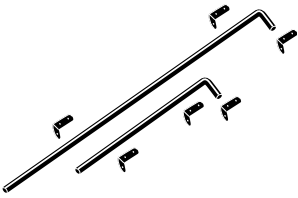



ITEM DESCRIPTION	PART NUMBER	PRICE BOX	SIZE	FINISH	PACKAGE	BOX QTY	BOX WT
<p>Gate Spring</p> 	331X-R		14"	Black	P/B w/scr.	30 Ea.	39
<p>Adjustable gate or door spring. Extra heavy-duty spring for strength when needed.</p> <p>Gate spring must be applied in oblique position as shown, adjustable capstan to the top and always to the left as you face the gate. Gate spring must be applied on the same side as the gate hinges. To increase tension, apply wrench pin to top capstan and turn counter-clockwise. When desired tension is obtained, insert stop pin into capstan as shown.</p> 							
<p>Gate Sag Prevention Kit</p> 	337X-R		Std.	Zinc	P/B w/scr.	30 Ea.	20
<p>Prevents sagging on new gates or will raise old existing gate. Kit will work on gate panels up to 6' in height x 5' in width. Kit includes cable, brackets, tightener and screws. Good sales feature because it enables the customer to make later adjustments simply by tightening the turnbuckle.</p> <p>Preventing Gate Sag Use gate sag kit (<i>Note: Kit should be positioned from mid height on the latch side to the top back rail on the hinge side; mounting from the bottom of the latch side should be avoided since it could cause the gate to bow.</i>)</p> 							
<p>Steel Post Adapter</p> 	SPA-3X		2-3/8"	Galv.	Bulk	50 Ea.	31
<p>Extra heavy-duty. One-piece body with single tensioning bolt makes installation simple.</p>							

WOOD GATE HARDWARE ACCESSORIES

www.ameristarfence.com

1-888-333-3422

FAX: 1-877-926-3747

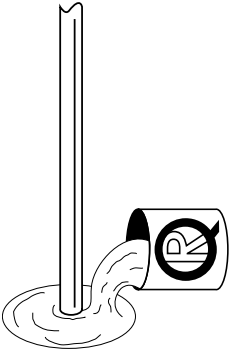
ITEM DESCRIPTION	PART NUMBER	PRICE BOX	SIZE	FINISH	PACKAGE	BOX QTY	BOX WT
Cane Bolt Sets 	313-BX-R		18"	Black	Bulk w/scr.	10 Ea.	24
	315-BX-R		24"	Black	Bulk w/scr.	10 Ea.	29
	316-BX-R		48"	Black	Bulk w/scr.	10 Ea.	50
	317-BX-R		30"	Black	Bulk w/scr.	10 Ea.	34
For use on double gates and garage doors. Heavy duty 5/8" solid bar, 3 guides and hanger brackets. Comes with screws. 18" - 24" available in zinc (must specify).							
Handle 	321-BX-R		6"	Black	Bulk w/scr.	200 Ea.	42
	322-BX-R		6"	Black	Bulk w/o scr.	200 Ea.	32
Regular Handle: 6" length. Used in conjunction with Post Latch.							
Handle 	324-SX (N/S)		9"	Black	Bulk w/scr.	100 Ea.	28
	Maxima Support Handle. Gives extra strength to striker bar.						
Ornamental Handle 	326X (N/S)		8"	Black	Bulk w/scr.	200 Ea.	65
	Ornamental Handle: 8" length. Used in conjunction with Thumb Latch.						

QUIK-ROK® CEMENT/GROUT

www.ameristarfence.com

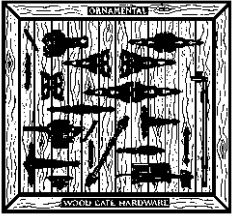
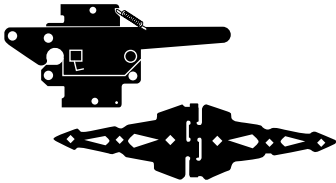
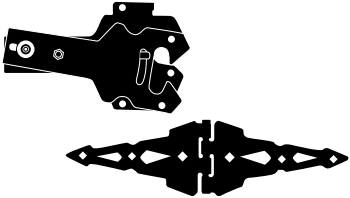
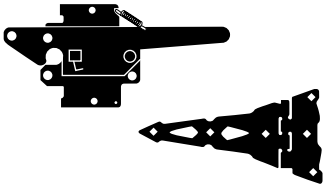
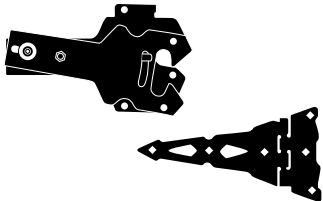
1-888-333-3422

FAX: 1-877-926-3747

Fast Setting Cement Grout	ITEM NUMBER	PRICE EACH	PACKAGE	PALLET QUANTITY	WEIGHT
		1002	**	Plastic Pail	36
	DESCRIPTION				
	<p>QUIK-ROK® is a chemically engineered hydraulic cement which when mixed with water forms a pourable mix whose self-leveling characteristics make it an ideal grouting material. Controlled expansion enables QUIK-ROK® to develop "lock-in" adhesion which can withstand loads in excess of 10,000 psi. It is designed to set within 15 minutes, under normal conditions.</p> <p>NOTE: Instructions for Use on Pages 21-3 and 21-4. Read the "Caution" statements prior to use.</p> <p>** Price is net price F.O.B. Tulsa. Discount quantities available for half truckload and full truckload orders. Six (6) pallet orders are minimum for paid freight.</p>				

WOOD GATE HARDWARE SAMPLES

www.ameristarfence.com
1-888-333-3422
FAX: 1-877-926-3747

ITEM DESCRIPTION	PART NUMBER	SIZE	WT.
Gate Hardware Display Board 	7302	32" x 35"	36
Maxima Post Latch & Strap Hinge 	WGHS1	----	4
Maxima Deluxe Latch & Strap Hinge 	WGHS2	----	4
Maxima Post Latch & Tee Hinge 	WGHS3	----	4
Maxima Deluxe Latch & Tee Hinge 	WGHS4	----	4

WHY CHOOSE AMERISTAR?

KNOWLEDGE & EXPERIENCE

Ameristar was chartered 30 years ago in response to the demand by consumers and specifiers for specialty fence products. Ameristar offers an aesthetically pleasing product that is both high in quality and affordability. This has been achieved by maximizing high-volume productivity, increasing product design strength, and promoting simplistic installation.

PROVEN CAPABILITY

Ameristar's integrated in-house process and extensive raw material inventory results in much improved productivity and availability compared to the competition. By having a vast finished goods inventory, Ameristar is capable of delivering finished products faster than competitors who sublet the majority of their operations.

INDUSTRY LEADERSHIP

Over the years Ameristar has continually raised the bar across the board in the manufacturing of high quality, innovative fencing products. Our demonstrated commitment to upholding higher values translates into superior products that go far beyond merely meeting minimum industry standards.



Ameristar's world headquarters, manufacturing & coil processing facilities in Tulsa, Oklahoma, USA.

Part #9742 | Revised 01/2015



LEGEND

- ★ Ameristar Headquarters
- Regional Distribution Centers



5159 Woodlane Circle
Tallahassee, FL 32303
www.BTFencing.com

TALLAHASSEE (850) 942-1003

MOBILE/BALDWIN (251) 322-2075

